

INSERT SLUICE SINK

Product Code INSTSLUICE

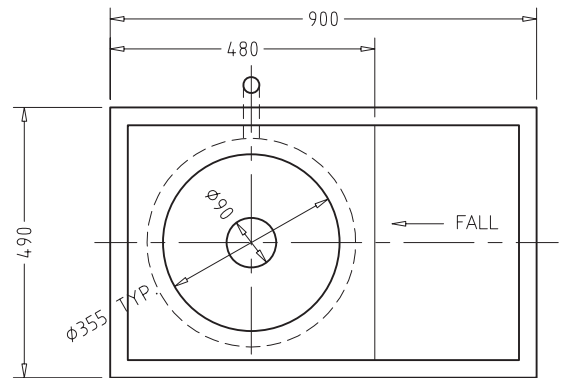
Features and benefits

- Fully fabricated construction
- Unique flushing cone
- Stylish design
- Durable
- Custom made to order

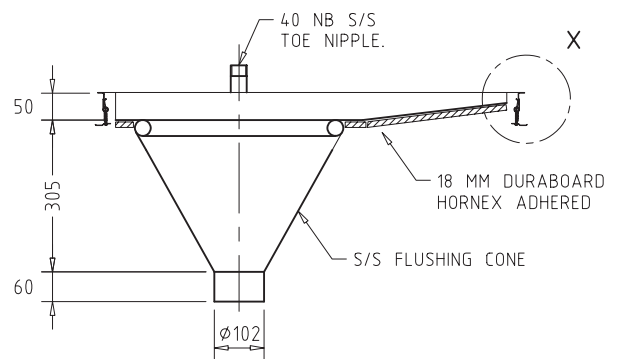
Product information

Designed for insertion into an existing bench top this Insert Sluice Sink is an up-market model sink which incorporates Woodroffe's Standard Flushing Cone and is suitable for use in child care centres, kindergardens, aged care facilities or hospitals.

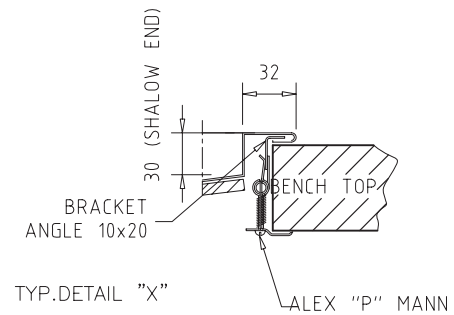
All units are custom manufactured to suit any specification.



TOP VIEW



SECTION



A Hills Company



Woodroffe Equipment Australia
 Toll free Ph 1300 361 053
 Toll free Fax 1300 139 707
www.woodroffe.com.au