

THEATRE WASTE DUMP - POINT FLUSHING CONE

Product Code DUMPCONE

Features and benefits

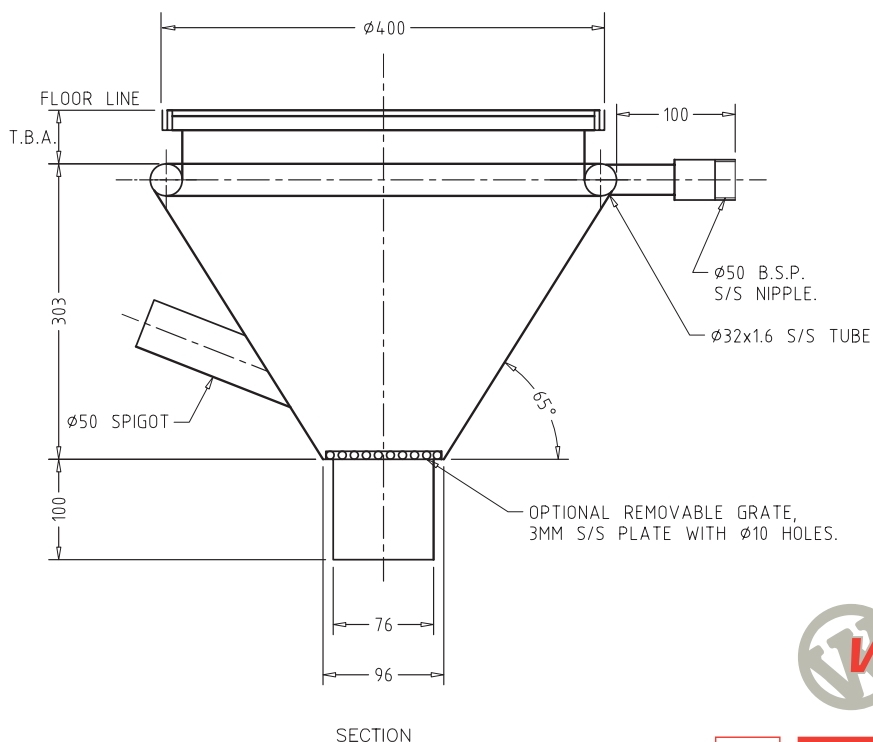
- 316 grade stainless steel
- Fully fabricated
- Durable
- Easy to install

Product information

Manufactured from 1.2 316 satin stainless steel with flushing ring.

This quality Theatre Soil Dump is designed for hospital theatres, mortuaries and funeral parlours. Includes inlet and outlet spiggots and breather hole.

This product incorporates Woodroffe design capabilities where all fittings are compatible with plumbing connections. This unit is designed to finish flush with the floor level.



Woodroffe Equipment Australia
Toll free Ph 1300 361 053
Toll free Fax 1300 139 707
www.woodroffe.com.au