

BOOT/HAND WASH STATION

Product Code BWS-FS700

Features and benefits

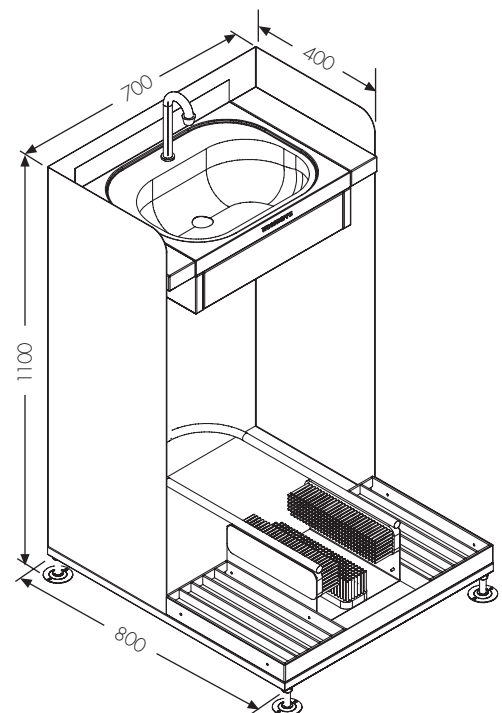
- "Hands Free" operation
- Durable stainless steel construction
- Pre-plumbed ready to install
- Replaceable boot brushes
- Adjustable feet

Product information

The Woodroffe Boot/Hand Wash Station has been developed to reduce the risk of transferring soil, excrement or disease throughout Animal Kennels, Quarantine areas, Abattoirs, Hatcheries, Agricultural and Farming areas.

This unit utilises the innovative Woodroffe knee operated basin and regulated flow valve to control the amount of water dispersed to the basin spout and foot spray assembly. As an additional feature we have incorporated an isolation valve, which enables the user to adjust or even isolate the water flow to the foot spray assembly.

Applying pressure to the generously sized front panel with the thigh or knee activates the water flow. Once activated the unit will operate for a set period of between 5-15 seconds before shutting off. Alternatively for a continual water supply the operator can maintain pressure on front panel and the unit will only shut off once the pressure has been removed and the flow timer expires.



A Hills Company



Woodroffe Equipment Australia

Toll free Ph 1300 361 053

Toll free Fax 1300 139 707

www.woodroffe.com.au