

WINE SPITTOON

Product Code SPITSTD

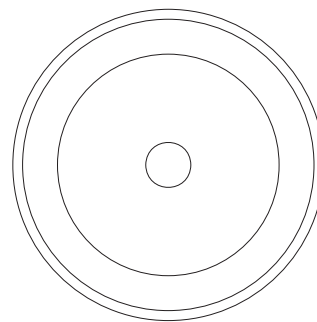
Features and benefits

- Integrated flushing rim
- Fully fabricated construction
- 316 grade stainless steel
- Easy to install
- Stylish design

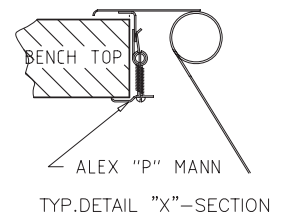
Product information

Manufactured from 1.2mm 316 stainless steel, this product is specifically developed for the wine industry. Ideal for use in wine tasting or laboratory facilities.

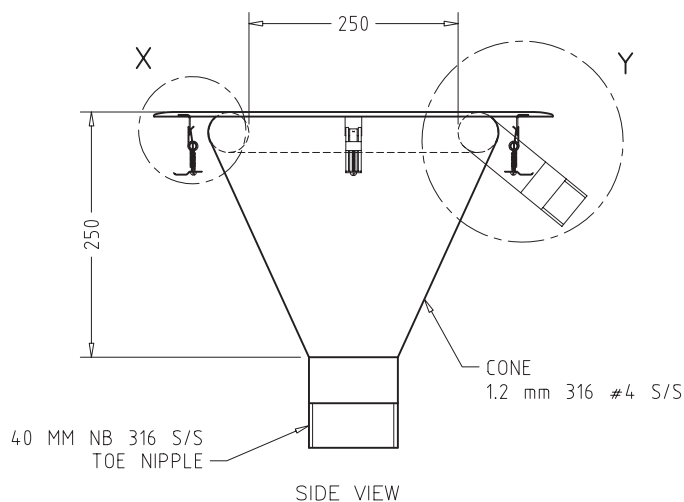
Woodroffe's Wine Spittoon is the market leader in tasting room products with units currently being exported world wide.



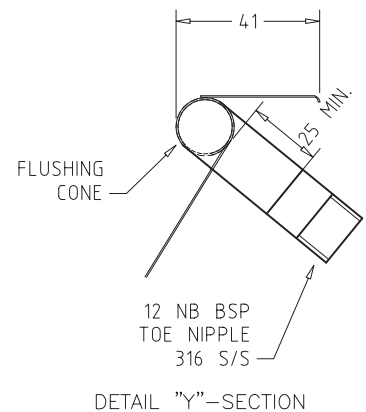
TOP VIEW



TYP. DETAIL "X" - SECTION



SIDE VIEW



DETAIL "Y" - SECTION



A Hills Company



Woodroffe Equipment Australia
 Toll free Ph 1300 361 053
 Toll free Fax 1300 139 707
www.woodroffe.com.au