

LABORATORY DRIP SINK

Product Code DRIP304
DRIP316

Features and benefits

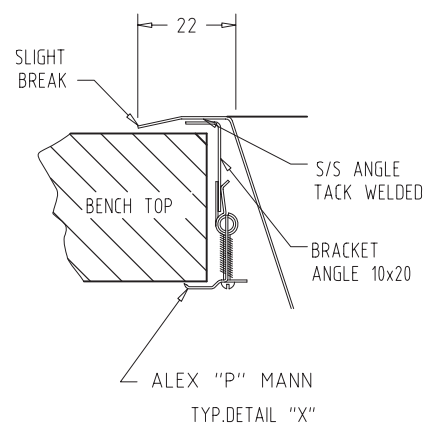
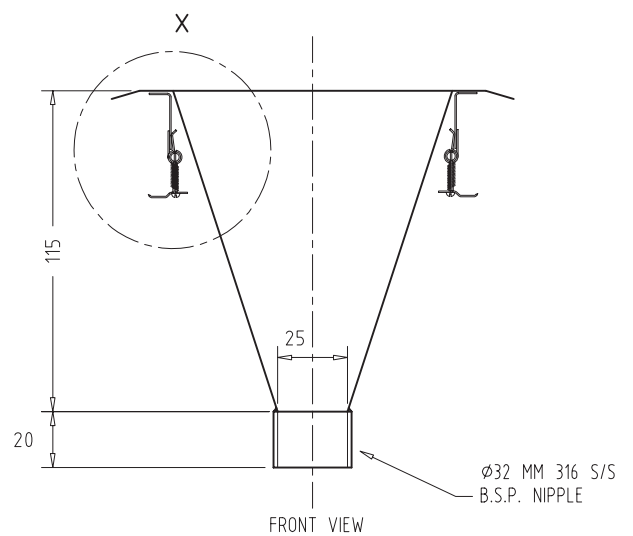
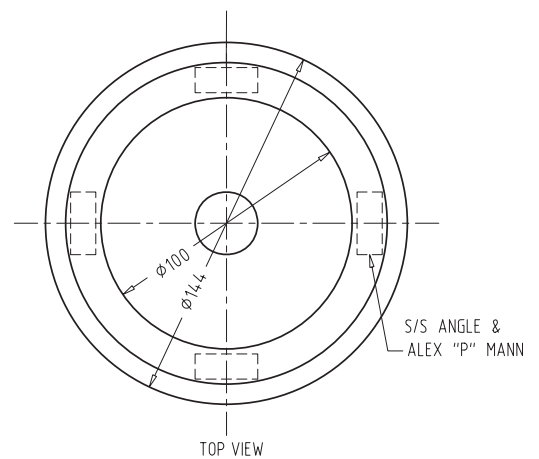
- 304 or 316 grade stainless steel
- Fully fabricated construction
- Easy to install
- Stylish design

Product information

Manufactured from 1.2 304 or 316 grade stainless steel.

The Laboratory Drip Sink can be easily fitted into any type of bench top. Most suitable for use in laboratories and schools.

Standard units are available on short lead times. Can also be custom manufactured to any specification.



A Hills Company



Woodroffe Equipment Australia
Toll free Ph 1300 361 053
Toll free Fax 1300 139 707
www.woodroffe.com.au