

STANDARD FLOOR MOUNT URINAL**Product Code** URIN**Features and benefits**

- Concealed vandal resistant sparge
- Full face flushing features
- 25mm radius to all internal corners
- Unique water distribution butterfly concealed in sparge
- Top or Back inlet available

Product information

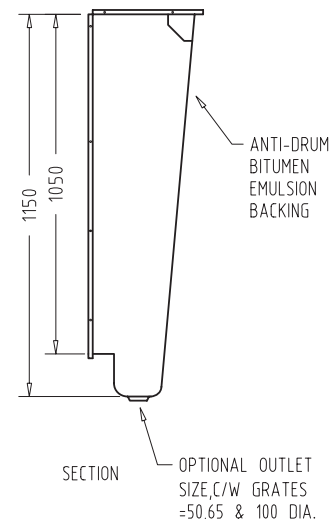
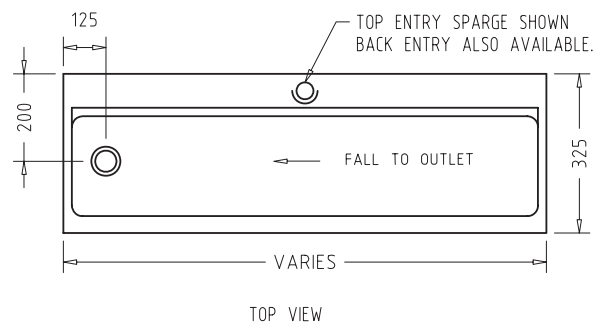
Woodroffe Standard Floor Mount Urinals are manufactured from 1.2 304#4 stainless steel, are available in full range of standard sizes or can be custom made to order. They are available with left, right or centre waste and with a full range of accessories including free standing end panels, flush pipes and splash guards.

Standard features include 1:80mm fall to outlet, 1.100mm batter on rear face, 1 outlet per 5m and 1 inlet per 2.4m.

When ordering please specify length, Outlet position and Outlet size (50, 65 or 100mm).

Standard Sizes

- 600
- 900
- 1200
- 1500
- 1800
- 2100
- 2400



A Hills Company



Woodroffe Equipment Australia

Toll free Ph 1300 361 053

Toll free Fax 1300 139 707

www.woodroffe.com.au