

TOP VIEW

WALL HUNG URINAL (Type A)

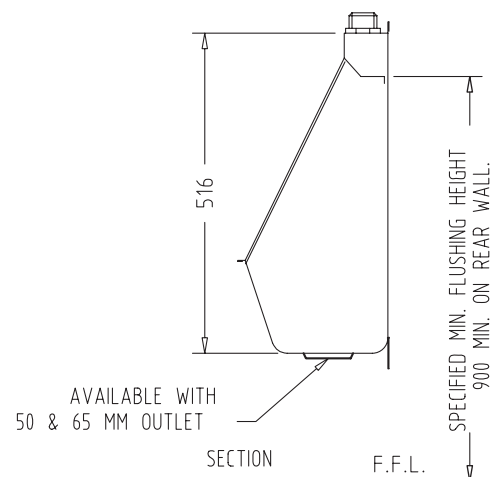
Product Code URAW

Features and benefits

- Concealed vandal resistant sparge
- Full face flushing features
- 25mm radius to all internal corners
- Unique water distribution butterfly concealed in sparge
- Top or back inlet available

Product information

Woodroffe Type 'A' Wall Hung Urinals are designed to accommodate multiple persons while utilising minimal flushing cisterns, this reduces water usage and cost compared to the porcelain alternative plus stainless steel has far superior vandal resistant qualities. Manufactured from 1.2 304#4 stainless steel, these units are available in full range of standard sizes or can be custom made to order.

**Standard Sizes**

- 900
- 1200
- 1800
- 2400

These urinals come standard with left hand outlet but can be manufactured with right or centre outlet position to suit your requirements.

Standard features include 1.80mm fall to outlet, 1 outlet per 5m and 1 inlet per 2.4m.



A Hills Company



Woodroffe Equipment Australia

Toll free Ph 1300 361 053

Toll free Fax 1300 139 707

www.woodroffe.com.au