

WALL HUNG URINAL (Type B)**Product Code** URBW**Features and benefits**

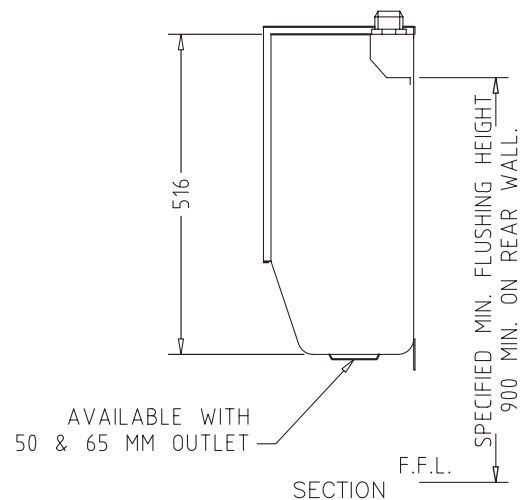
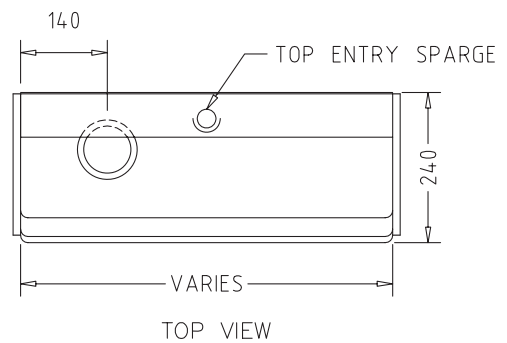
- Concealed vandal resistant sparge
- Full face flushing features
- 25mm radius to all internal corners
- Unique water distribution butterfly concealed in sparge
- Top, front and side tile flanges
- Top or back inlet available

Product information

Woodroffe Type 'B' Wall Hung Urinals are designed as an alternative to the standard floor mount urinals and enable the floor space to be kept clear. Manufactured from 1.2 304#4 stainless steel, these units can be custom made to order. These urinals are available with left, right or centre outlet position to suit your requirements.

Standard features include 1.80mm fall to outlet, 1 outlet per 5m and 1 inlet per 2.4m.

When ordering please specify Length, Outlet position and Outlet size (50, 60 or 100mm).



A Hills Company



Woodroffe Equipment Australia

Toll free Ph 1300 361 053

Toll free Fax 1300 139 707

www.woodroffe.com.au