

URINETTE

Product Code RSPURINBE (back entry)
RSPURINTE (top entry)

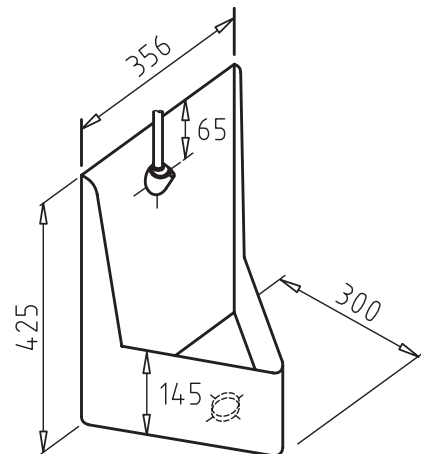
Features and benefits

- Unique flushing spreader
- Lightweight simple installation
- Innovative stylish design
- Top or back inlet available
- Seamless welded construction

Product information

Single installations are the obvious choice for the smaller public service industry applications.

Multiple installations can be a practical and attractive alternative to continuous slab urinal arrangements or as a stylish alternative to porcelain.



Woodroffe Equipment Australia
Toll free Ph 1300 361 053
Toll free Fax 1300 139 707
www.woodroffe.com.au