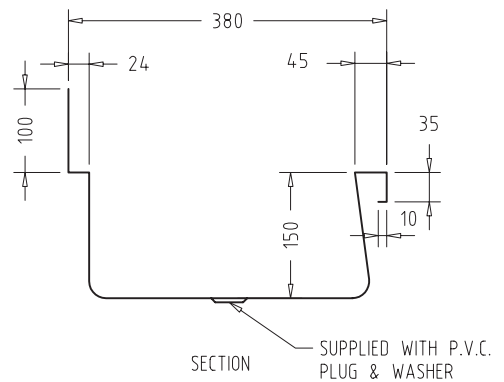


PAT # 2

TOP VIEW



SECTION

SUPPLIED WITH P.V.C. PLUG & WASHER

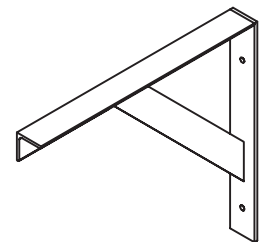
Product Code AB2T

Features and benefits

- 100mm blade splash back
- Anti splash design
- Easy install wall bracket
- Fully welded construction
- PVC plug and waste

Standard sizes

- 900
- 1200
- 1500
- 1800
- 2100
- 2400



GALV. BRACKET

Product information

Manufactured from 304 stainless steel Woodroffe's Pat#2 Ablution Trough has innovative anti splash front to help eliminate water spillage while the 100mm splash back helps to protect against water damage to walls.

A wide range of sizes available in stock, with options for custom manufacture to suit varied specifications.



Woodroffe Equipment Australia
 Toll free Ph 1300 361 053
 Toll free Fax 1300 139 707
www.woodroffe.com.au