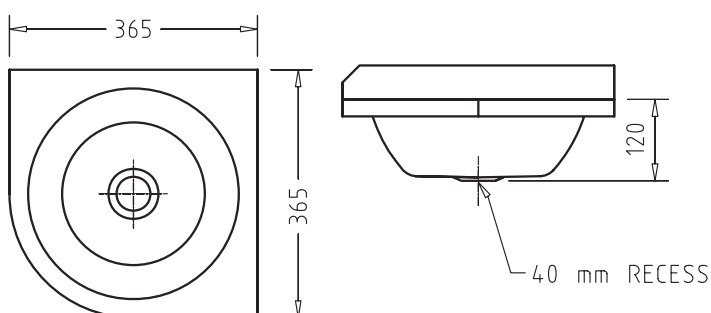


Size 360x360x110mm



HAND BASINS

Product Code RND-FRONT-COM
CORNER-COMP
WBSQRBFS

Features and benefits

- Economical
- Stylish design
- Seamless construction
- Easy install waste bracket

Product information

This range of Wash Basins is designed for alternative applications or simply as a stylish edge.

Manufactured from 304 stainless steel these basins will not rust, chip or stain and are ideal for pubs, clubs, kitchens, schools, hospitals or even camp grounds.

All basins are supplied complete with waste bracket and plug and waste.



A Hills Company



Woodroffe Equipment Australia
Toll free Ph 1300 361 053
Toll free Fax 1300 139 707
www.woodroffe.com.au