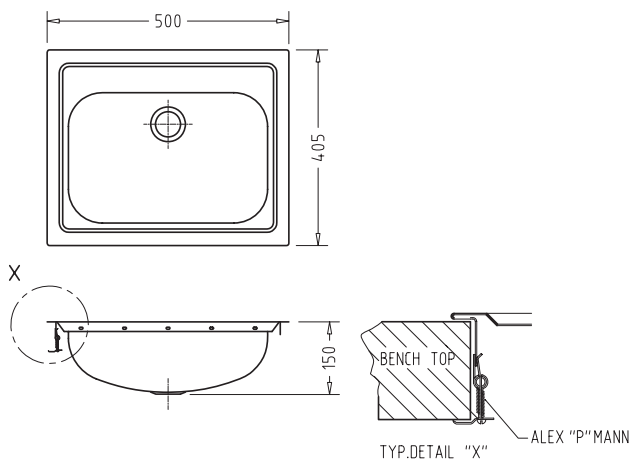
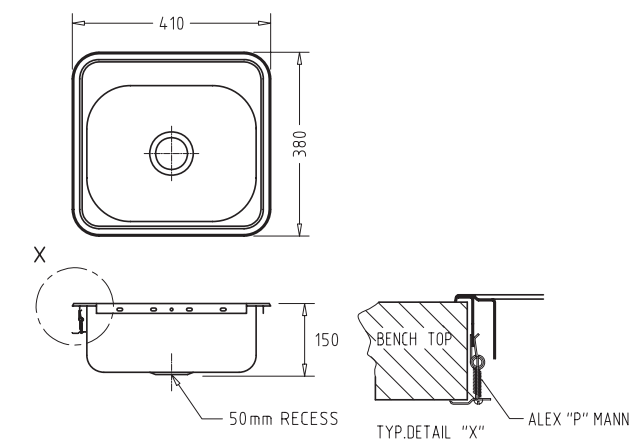




IB-500400-0TAP



IB-410380-0TAP



INSET STYLE WASH BASINS

Product Code IB-500400-0TAP

IB-500400-1TAP

IB-500400-2TAP

IB-500400-3TAP

IB-410380-0TAP

IB-410380-1TAP

Features and benefits

- High polish finish
- Economical
- Seamless construction
- Fixing clips included
- Available pre-punched

Product information

Woodroffe's Inset style Wash Basins are the ideal solution for washrooms, toilets or kitchens where the functionality of a stainless steel basin is required to be incorporated into an existing or new bench top or vanity unit. Manufactured from highly polished stainless steel, Woodroffe inset basins not only provide a longer lasting economical solution, but also provide a higher level of flexibility and vandal resistance than the alternative porcelain basins.

Available in two sizes 500 x 400 and 410 x 380 these units can be pre-punched in either 0, 1, 2 or 3 tap hole configurations, and with fixing clips included as standard, these basins are supplied ready to install.



A HillsCompany



Woodroffe Equipment Australia

Toll free Ph 1300 361 053

Toll free Fax 1300 139 707

www.woodroffe.com.au