

ASSF 107 DRINKING TROUGH

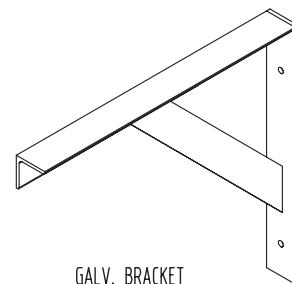
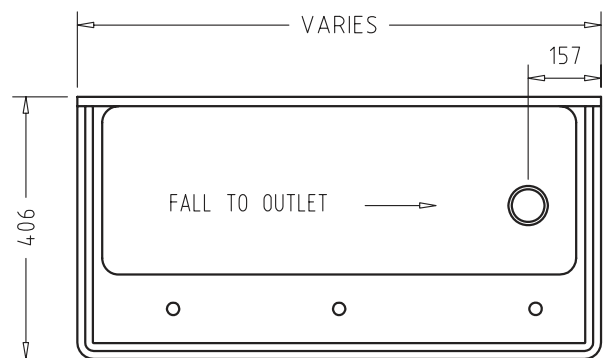
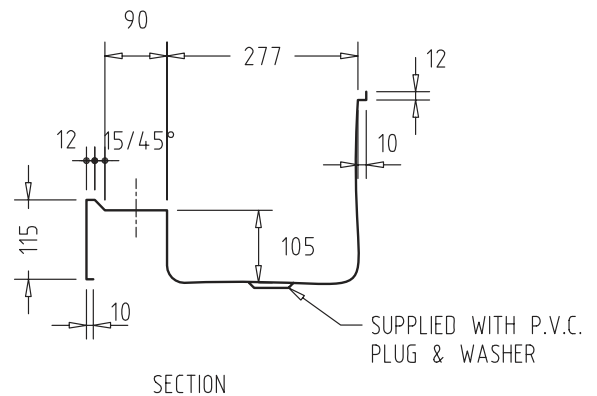
Product Code DRTR

Features and benefits

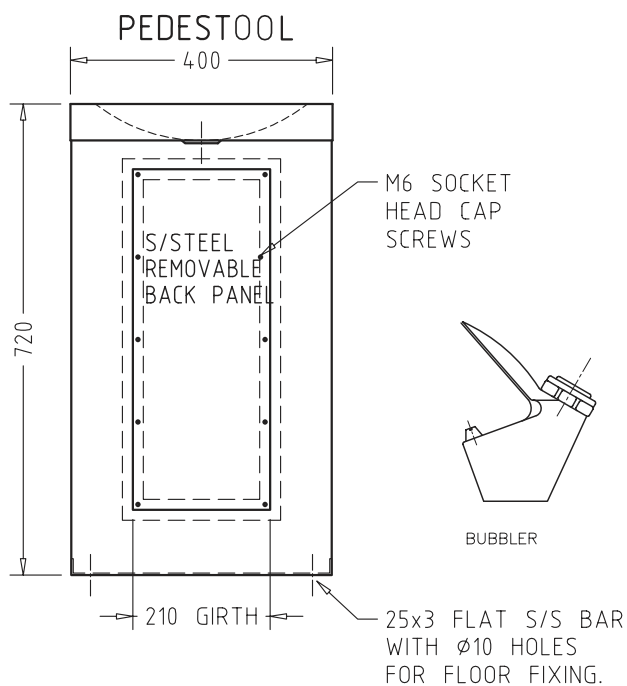
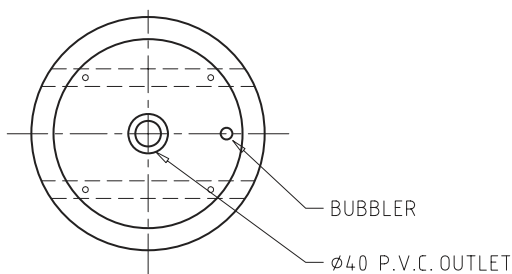
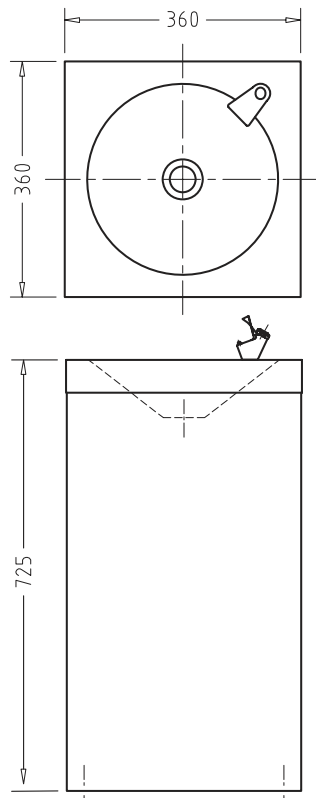
- Fully fabricated construction
- Stylish design
- Internal radius corners
- Full height fascia
- Safety radius on front corners

Product information

The Woodroffe ASSF107 Drinking Trough is primarily designed for use in schools. Available in 3, 4, 6 or 8 person models or custom manufactured to suit any requirement.



Woodroffe Equipment Australia
 Toll free Ph 1300 361 053
 Toll free Fax 1300 139 707
www.woodroffe.com.au



PEDESTOOL

DRINKING FOUNTAINS

Product Code PEDESTOOL
SQUARELINE

Features and benefits

- Free standing
- Fully fabricated construction
- Stylish design

Product information

Woodroffe Square Line and Pedestool Drinking Fountains are designed for free standing, ambient temperature. Single person applications, supplied complete with bubbler and waste. These units are ready to plumb.



Woodroffe Equipment Australia
Toll free Ph 1300 361 053
Toll free Fax 1300 139 707
www.woodroffe.com.au